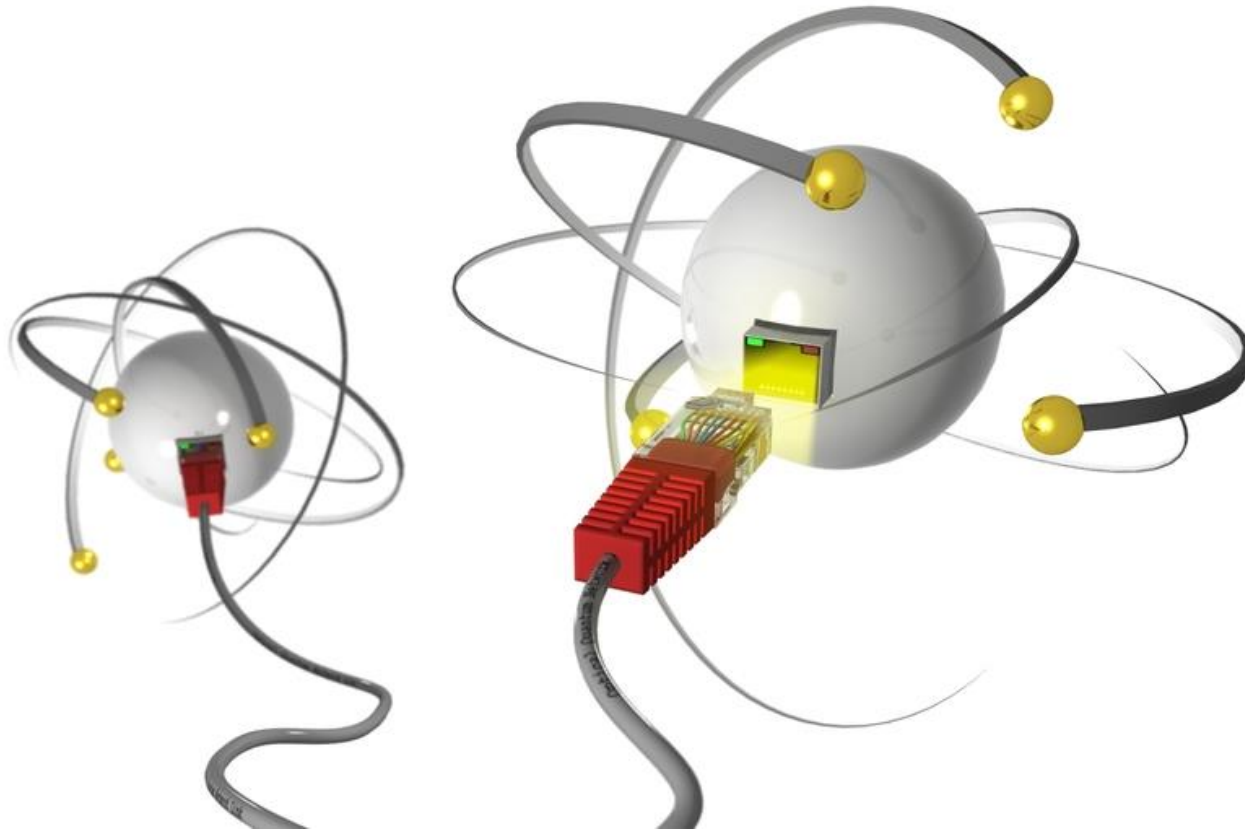


Technologietag Eltroplan



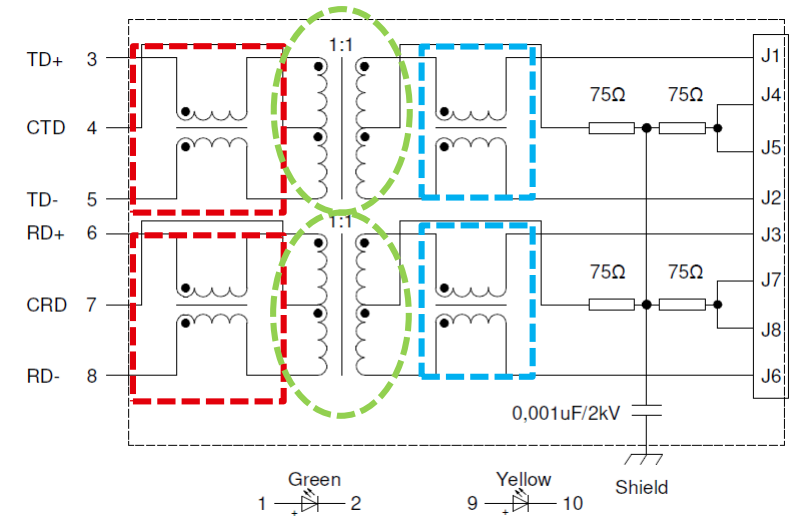
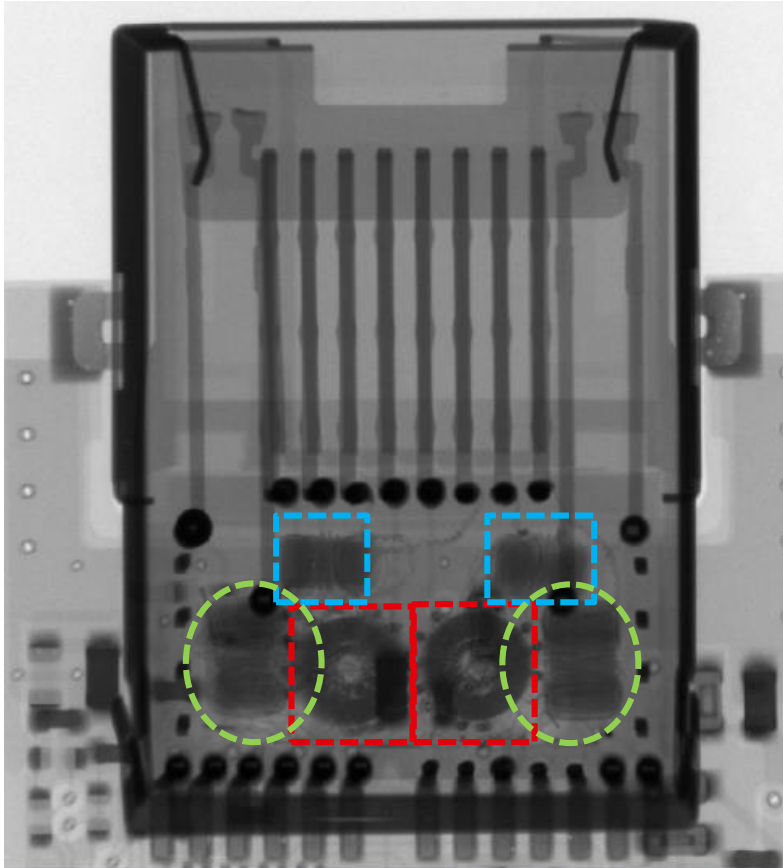
Martin Leihenseder

**Würth Elektronik eiSos
GmbH & Co. KG**

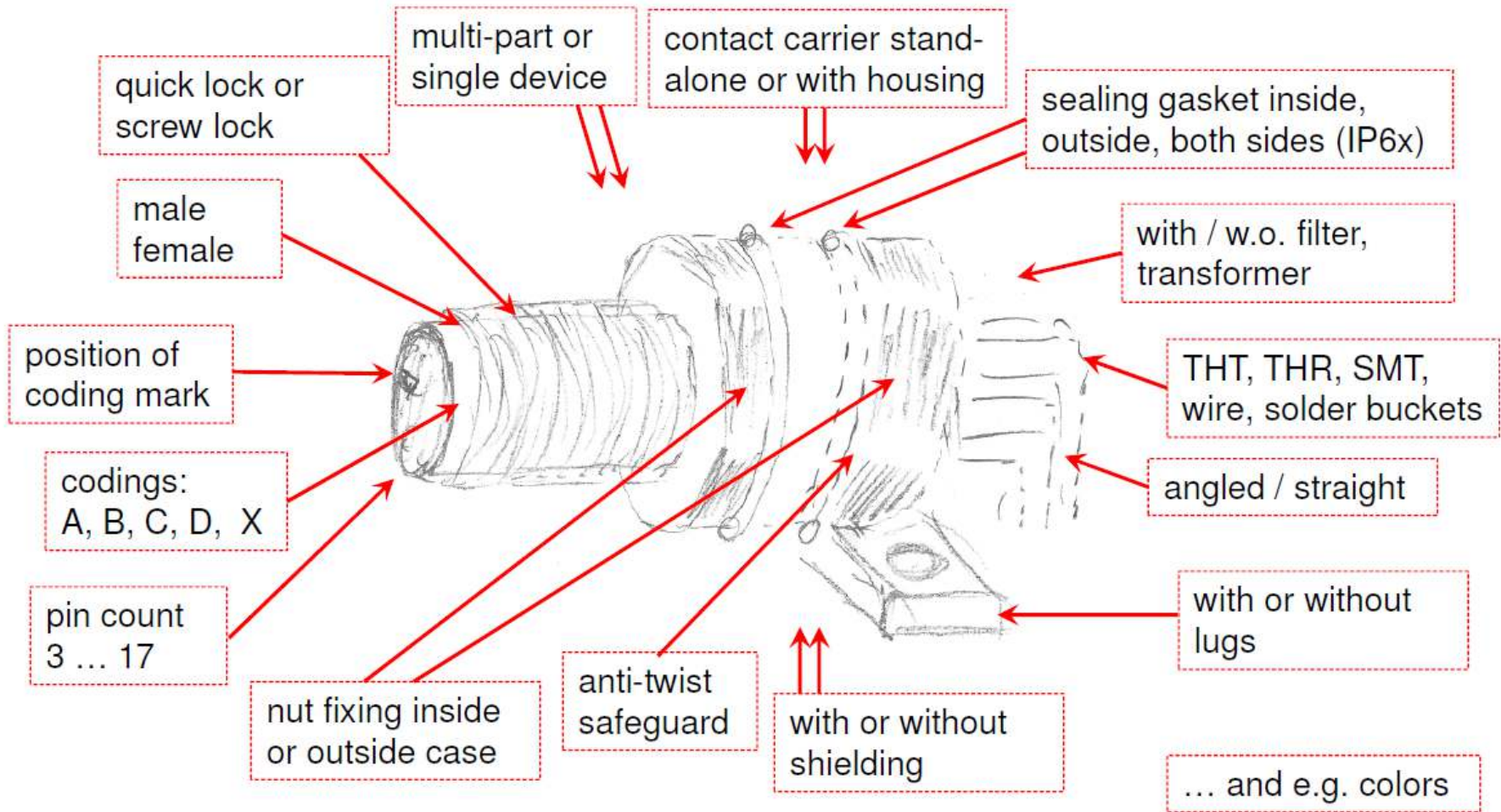
Introduction



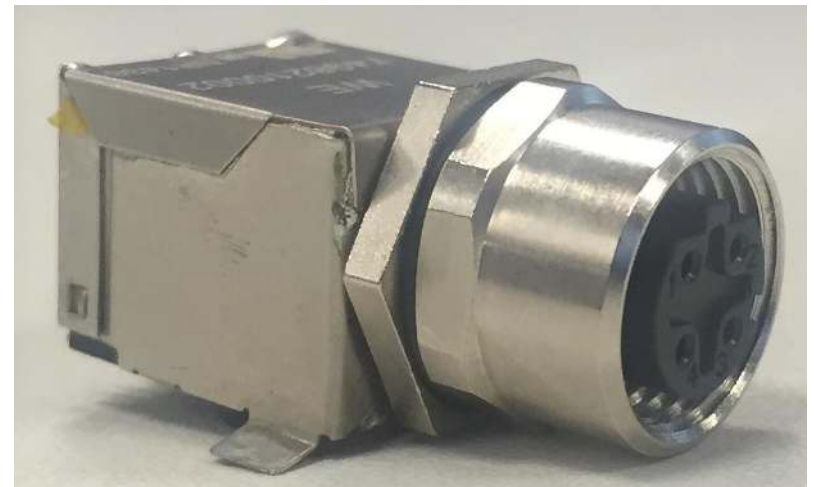
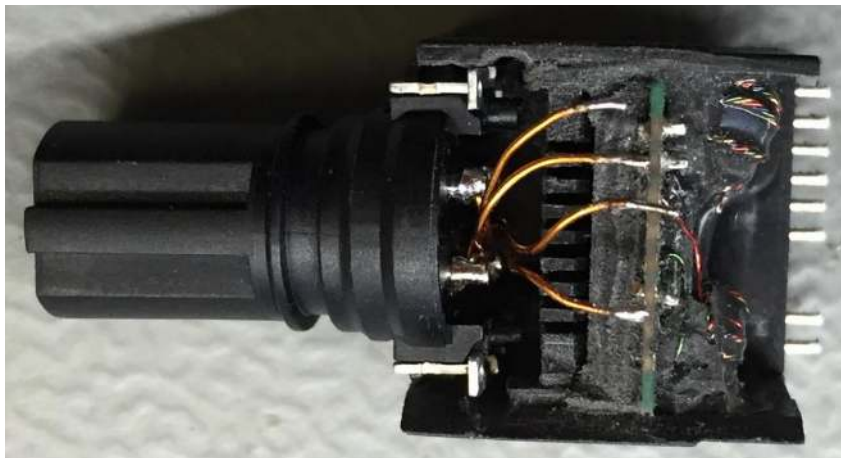
Introduction



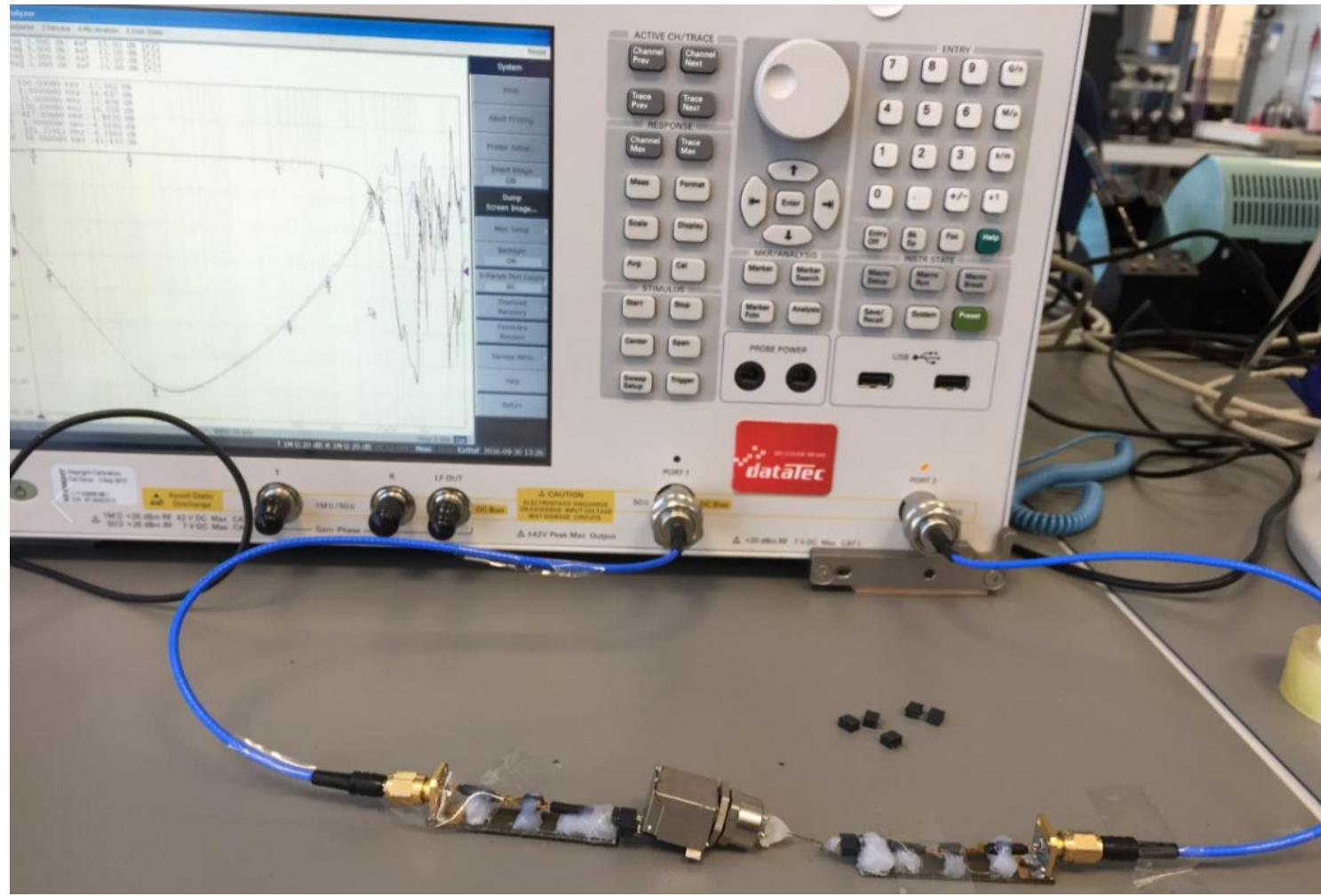
M12 Development 2016



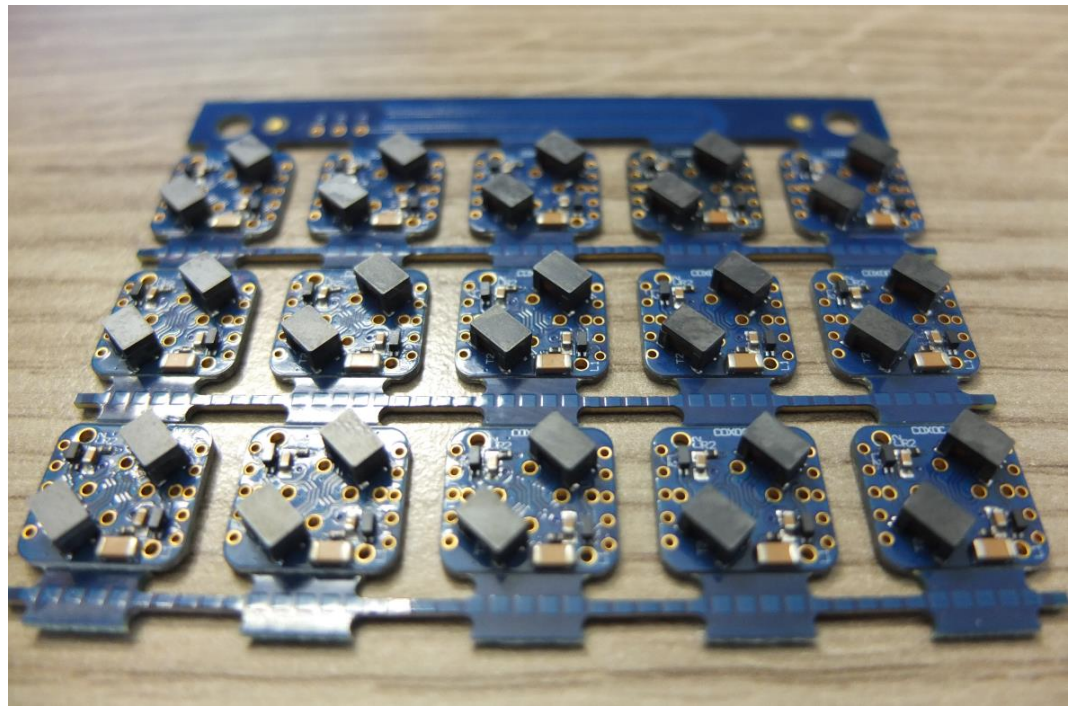
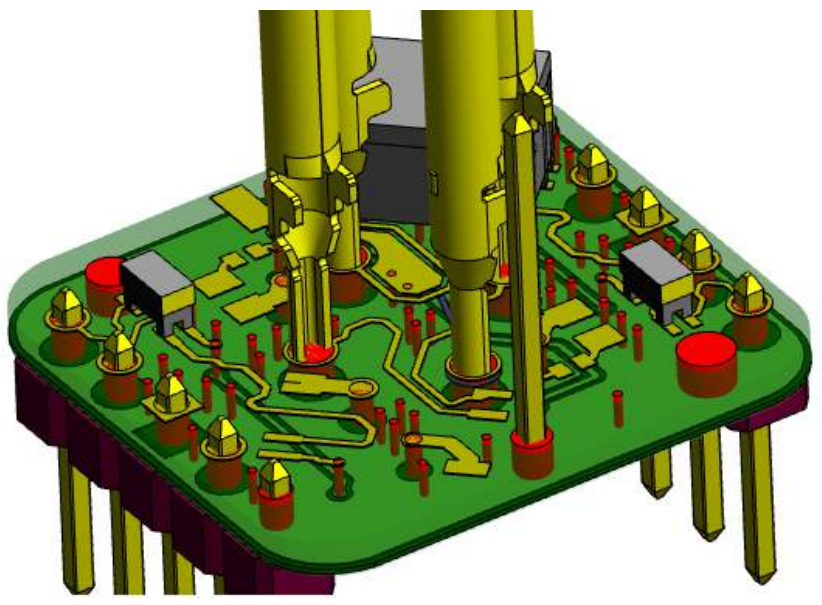
M12 Development 2016



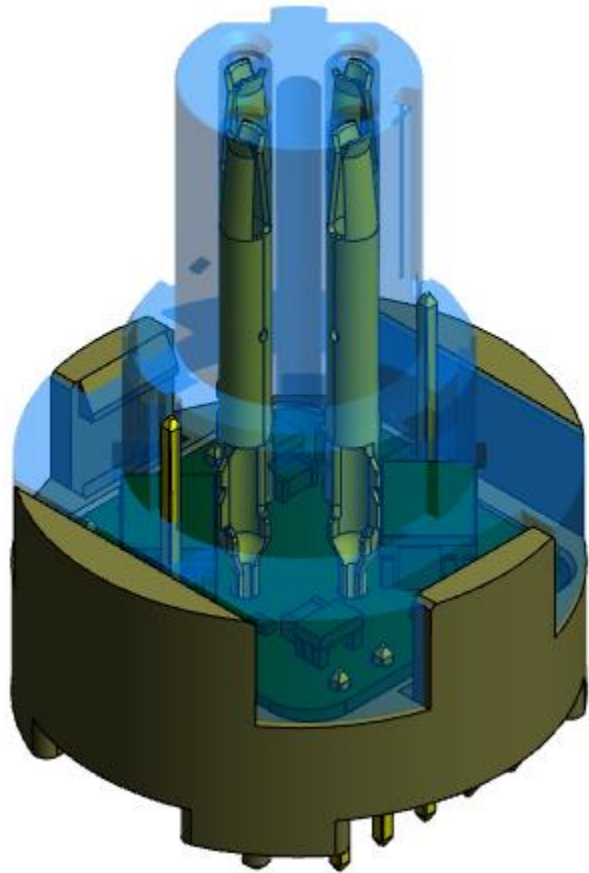
M12 Development 2016



M12 Development 2018

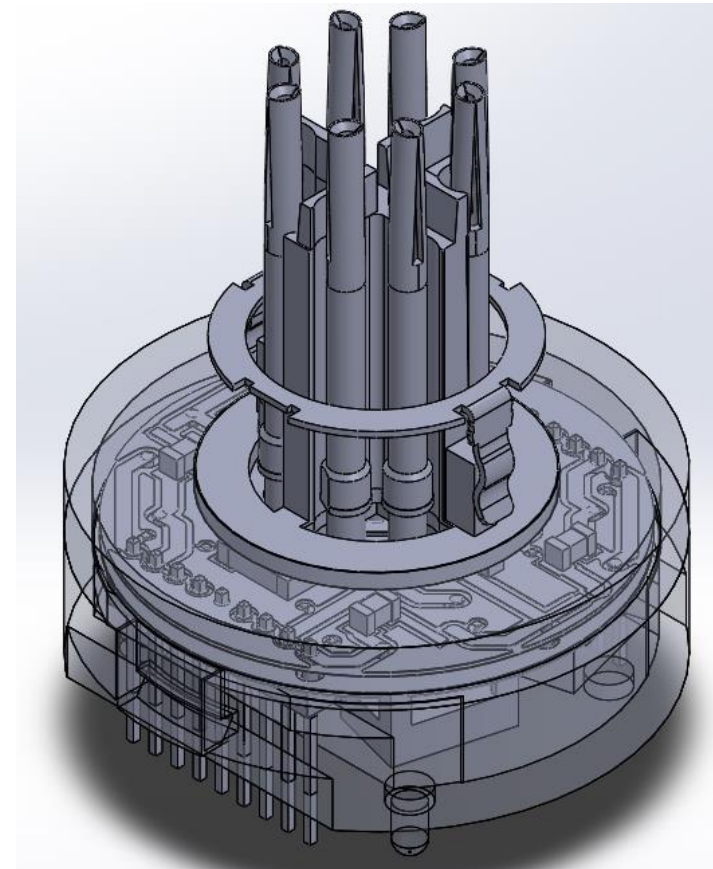
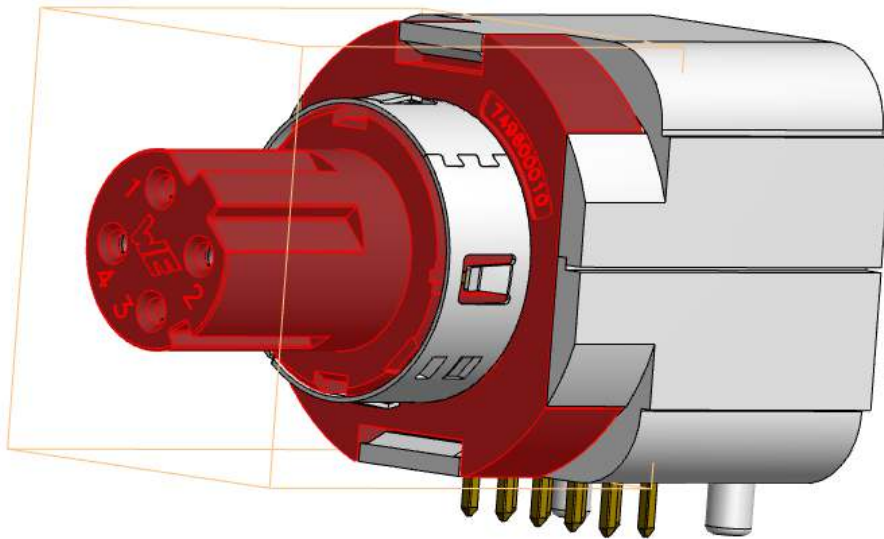


M12 Development 2019



Quelle: Würth Elektronik eiSos GmbH & Co KG

M12 Development 2020/2021



Thank you!

